



LED Navigation Lights Type 580

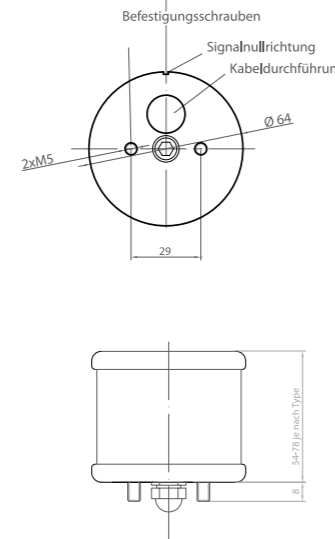
The Navigation Lanterns Type 580 are developed for all vessels up to 50 m in length according International Regulations for Preventing Collisions at Sea 1972 (COLREGS1972-IMCO72).

Advantages:

- Certified lifetime 20.000 hours
- Maintenance free
- Low power consumption
- No spare bulbs any more
- Durable materials and great structural strength
- Shock resistant
- Non corrosive
- Seawater resistant
- Solar panel power supplies for 12 VDC stand alone systems available

Approvals:

- BSH (Bundesamt für Seeschiff-fahrt und Hydrographie) Seagoing vessels – Approval No. BSH/4615/6010679/07 Inland waterways – Approval No. ⚓ D.06.261
- GL (Germanischer Lloyd)
- UL 1104
- MED



Technical Data LED Navigation Lights Type 580

	112,5° 2 nm	112,5° 2 nm	225° 3 nm	225° 5 nm	135° 2 nm	135° 2 nm	360° 2 nm	360° 2 nm	360° 2 nm	360° 2 nm	360° 2 nm
	Starbord	Port	Masthead	Masthead	Stern	Towing	Signal	Signal	Signal	Signal	Signal
For vessels up to 50 m in length											
Power supply	12/24 VDC	12/24 VDC	12/24 VDC	24 VDC	12/24 VDC	12/24 VDC	12/24 VDC	12/24 VDC	12/24 VDC	12/24 VDC	12/24 VDC
Power consumption	1,8 W	1,2 W	7,5 W	11 W	2,1 W	2,1 W	2,8 W	1,8 W	2,7 W	3,6 W	2,8 W
Enclosure rating	IP 68	IP 68	IP 68	IP 68	IP 68	IP 68	IP 68	IP 68	IP 68	IP 68	IP 68



LED Signal Lights

Technical Data LED Signal Lights

	360° 3 nm	360° 3 nm	360° 3 nm	360° 3 nm	360° 3 nm
	Signal	Signal	Signal	Signal	Signal
Power supply	24 VDC 115/120/230 VAC	24 VDC 115/120/230 VAC	24 VDC 115/120/230 VAC	24 VDC 115/120/230 VAC	24 VDC 115/120/230 VAC
Steady Lights					
Power consumption	8 W	9 W	10 W	12 W	10 W
Weight	2,4 kg	2,4 kg	2,4 kg	2,4 kg	2,4 kg
Enclosure rating	IP 56	IP 56	IP 56	IP 56	IP 56
Flashing Lights					
Flashes per minute	-	120	180	60	120
Power consumption	-	6 W	10 W	12 W	10 W
Weight	-	2,4 kg	2,4 kg	2,4 kg	2,4 kg
Enclosure rating	-	IP 56	IP 56	IP 56	IP 56

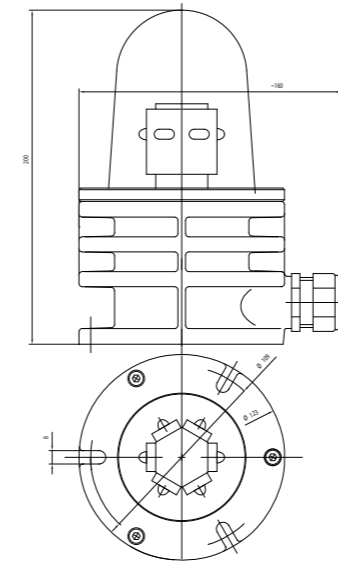


Advantages:

- Certified lifetime 70.000 hours
- Maintenance free
- Low power consumption
- No spare bulbs any more
- Durable materials and great structural strength
- Shock resistant
- Non corrosive
- Seawater resistant

Approvals:

- FVT (Fachstelle für Verkehrstechniken)



PB PETERS+BEY
Ship's Service · Sheet Metal Works

Peters + Bey GmbH
Schnackenburgallee 151
D-22525 Hamburg
phone +49 - (0) 40 - 54 76 00 - 0
fax +49 - (0) 40 - 54 76 00 - 76
mail@peters-bey.com
www.peters-bey.com

09/2009 Techn. Änderungen vorbehalten



LED Lights

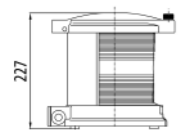
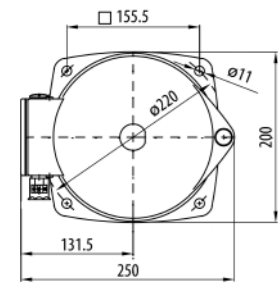
PB PETERS+BEY
Ship's Service · Sheet Metal Works

LED Navigation Lights Type 780

Navigation Lanterns Panels

Battery operated Navigation Lights

The Navigation Lanterns Type 780 are developed for all vessels more than 20 m in length according International Regulations for Preventing Collisions at Sea 1972.



Advantages:

- Certified lifetime 50.000 hours - single lantern
- Certified lifetime 100.000 hours - double lantern
- Maintenance free
- Low power consumption
- Single and double lantern have the same dimensions
- No spare bulbs any more
- Each light of a double lantern is equipped with it's own terminal box
- Ship's cable is easy to terminate straight into the light
- Durable materials and great structural strength
- Shock resistant
- Non corrosive
- Seawater resistant

Approvals:

- BSH (Bundesamt für Seeschifffahrt und Hydrographie) Seagoing vessels – Approval No. BSH/4615/6010341/06 Inland waterways – Approval No. D.06.341
- GL (Germanischer Lloyd)
- UL 1104
- MED



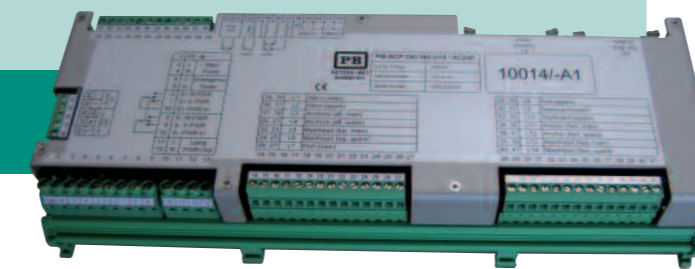
The Navigation Lights Panels from Peters + Bey are developed for all types of lanterns. LED or conventional version. The customer also can have a mixture of LED or conventional lanterns or lights. Individual layout for each vessel of the control unit is standard.

Approval:

- GL (Germanischer Lloyd)

Basic Module for max. 4 extension modules

Art. No.: 230 Volt	7800010
Art. No.: 115/120 Volt	7800011
Art. No.: 24 Volt	7800012



Extension Module for 7 single lanterns

Art. No.: 230 Volt	7800020
Art. No.: 115/120 Volt	7800021
Art. No.: 24 Volt	7800022



Control Units

Art. No.: 288 x 144 x 60 mm	7800030
Art. No.: 192 x 144 x 60 mm	7800031
Art. No.: 144 x 144 x 60 mm	7800040



Advantages:

- completely with accumulator
- 24/48 hours of actual working time
- Main switch
- Twilight switch
- Load plug
- Load automatic controller 120/230V
- Magnetic feet
- Water Proof: according to IP 56

Technical Data Batterybox for Navigation Lights Type 580

Art. No.: 24 hours	5084510
Art. No.: 48 hours	5084511
L x B x H (without lantern)	250 x 190 x 190 mm
Loading time	< 2 hours
Weight (inclusive lantern)	5,4 kg



Technical Data LED Navigation Lights Type 780

	Starboard	Port	Masthead	Stern	Towing	Suez	Signal	Signal	Signal	Signal	Manoeuvring
	112,5° 3 nm	112,5° 3 nm	225° 6 nm	135° 3 nm	135° 3 nm	135° 3 nm	360° 3 nm	360° 3 nm	360° 3 nm	360° 3 nm	360° 5 nm
Double Lanterns	For vessels over 50 m										
Power supply	24 VDC 115/120/230 VAC	24 VDC 115/120/230 VAC	24 VDC 115/120/230 VAC	24 VDC 115/120/230 VAC	24 VDC 115/120/230 VAC	24 VDC 115/120/230 VAC	24 VDC 115/120/230 VAC	24 VDC 115/120/230 VAC	24 VDC 115/120/230 VAC	24 VDC 115/120/230 VAC	24 VDC 115/120/230 VAC
Power consumption	5 W	3 W	17 W	3 W	6 W	3 W	8 W	6 W	10 W	12 W	
Weight	4,3 kg	4,3 kg	4,1 kg	4,2 kg	4,2 kg	4,2 kg	3,9 kg	3,9 kg	3,9 kg	3,9 kg	
Enclosure rating	IP 56	IP 56	IP 56	IP 56	IP 56	IP 56	IP 56	IP 56	IP 56	IP 56	
Single Lanterns	For vessels over 50 m										
Power supply	24 VDC 115/120/230 VAC	24 VDC 115/120/230 VAC	24 VDC 115/120/230 VAC	24 VDC 115/120/230 VAC	24 VDC 115/120/230 VAC	24 VDC 115/120/230 VAC	24 VDC 115/120/230 VAC	24 VDC 115/120/230 VAC	24 VDC 115/120/230 VAC	24 VDC 115/120/230 VAC	24 VDC 115/120/230 VAC
Power consumption	5 W	3 W	17 W	3 W	6 W	3 W	8 W	6 W	10 W	12 W	18 W
Weight	3,6 kg	3,6 kg	3,4 kg	3,5 kg	3,5 kg	3,5 kg	3,2 kg	3,2 kg	3,2 kg	3,2 kg	3,2 kg
Enclosure rating	IP 56	IP 56	IP 56	IP 56	IP 56	IP 56	IP 56	IP 56	IP 56	IP 56	IP 56

Technical Data Batterybox for Navigation Lights Type 780

Art. No.: 24 hours	7804510
Art. No.: 48 hours	7804511
L x B x H (without lantern)	250 x 260 x 190 mm
Loading time	< 2 hours
Weight (inclusive lantern)	8,4 kg

